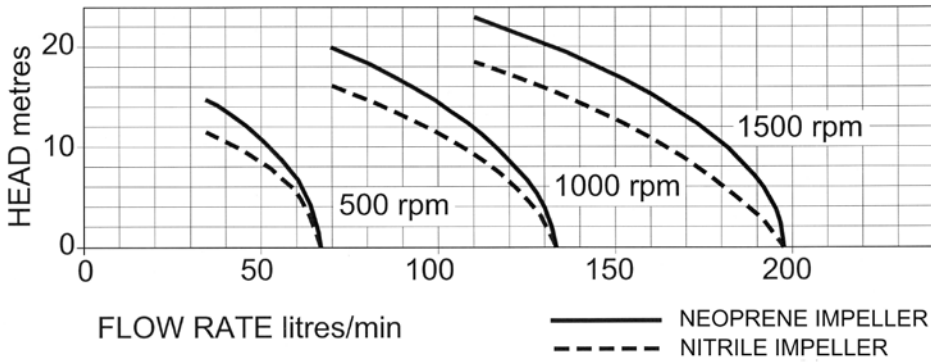


PERFORMANCE:

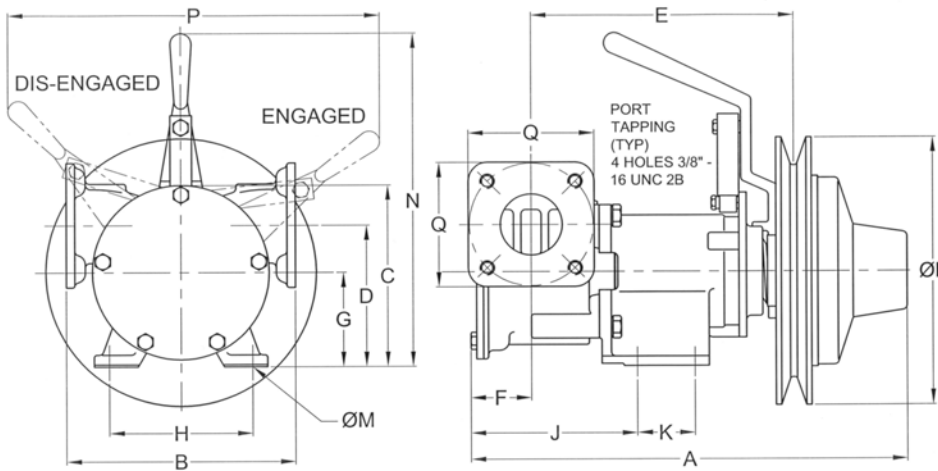


MODEL	Maximum flow rate		Maximum head	
	l/min	gall/min	metres	feet
51220-00*1	195	42	23	75
51220-0003	195	42	18	59

Max Power absorbed 1800 watt at 1500rpm

DIMENSIONS:

WEIGHT: 10 Kg



A	B	C	D	E	F	G	H	J	K	L	M	N	P	Q
291	152	124	93	175	40	65	95	111	38	Ø180	Ø10	225	250	84

MATERIALS OF CONSTRUCTION:

Body	Bronze
Impeller	Neoprene or oil resistant Nitrile
Wearplate	Replaceable
Shaft	Stainless steel type 316
Shaft seal	Mechanical carbon/ceramic
Bearings	Twin row, ball type
Port type	1½" FLANGE
Clutch type	Manual – Self adjusting
Pulley	180mm dia A or B section

MODELS:

- 51220-0011 Neoprene Impeller
- 51220-0003 Nitrile Impeller
- 51220-0021 Neoprene Impeller, High pressure



a xylem brand

BRONZE FLEXIBLE IMPELLER - MANUAL CLUTCH

51220 SERIES



PUMP with 1½" FLANGED PORTS

- * Constructed from marine quality bronze and stainless steel
- * Self-prime from dry up to 2.4m
- * Easy to service and maintain
- * Will tolerate abrasive wear
- * Handles hard and soft solids without clogging
- * Can pump in either direction
- * Will not airlock

Xylem Water Solutions UK Ltd
Bingley Road
Hoddesdon
Hertfordshire • EN11 0BU UK

Tel: +44 (0)1462 480380
Fax: +44 (0)1462 482422
mail@cleghorn.co.uk
www.jabscoshop.com

